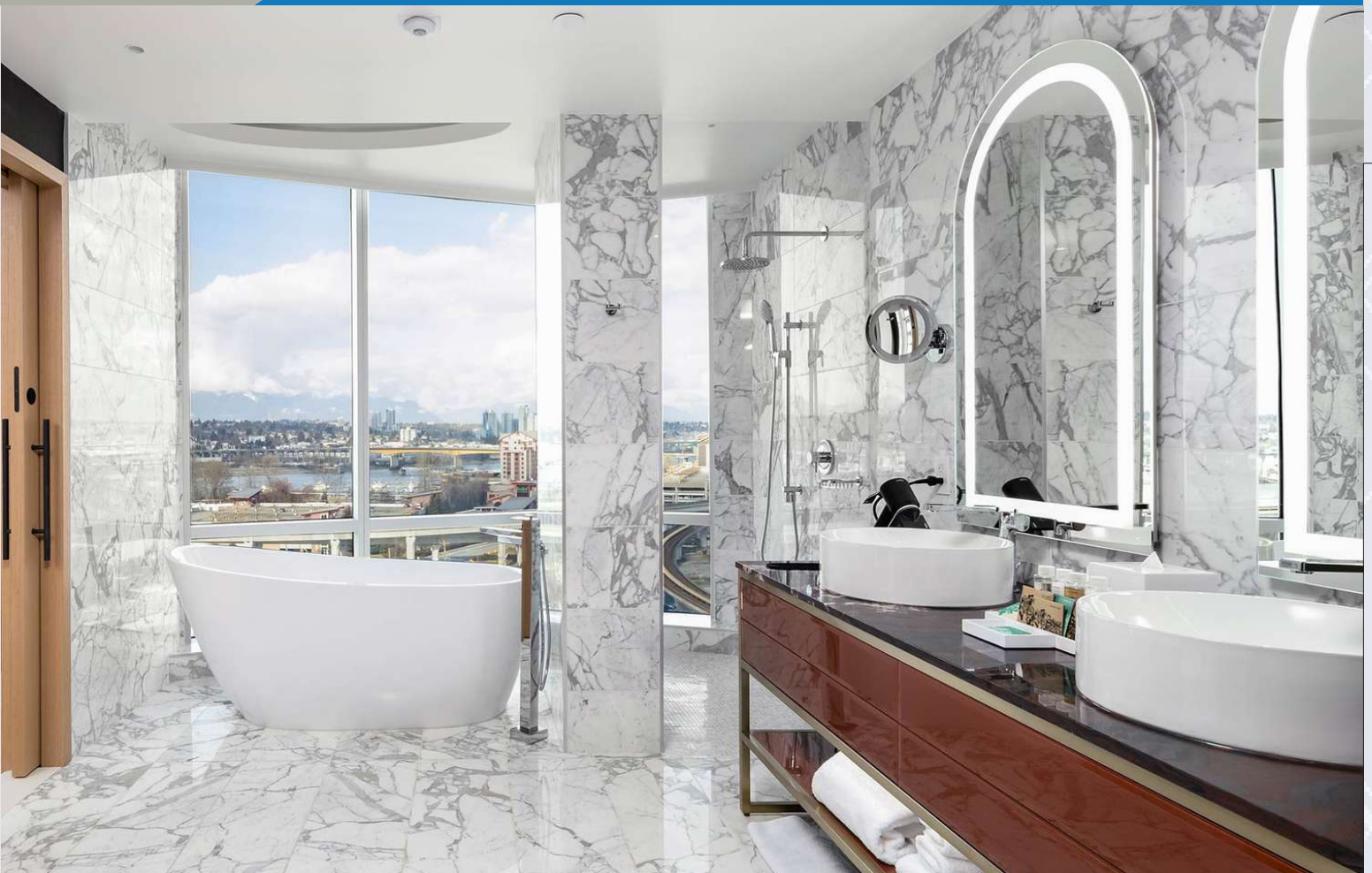


# EXHAUST DISC VALVE

We Care For The Air You Breathe



**Exhaust Disc Valve Index**

EXHAUST DISC VALVES (EDV)	11
PRODUCTS FEATURES	11
STANDARD FINISH	11
FIXING	11
AVAILABLE SIZES	11
SELECTION CHART	11

**EXHAUST DISC VALVES (EDV)**

**PRODUCTS FEATURES**

Circular exhaust air valves.

Steel construction.

Center core adjustable by screw and nut for air volume control.

The outer body is fitted with a foam - rubber gasket to form an airtight seal with the mounting ring.

**STANDARD FINISH**

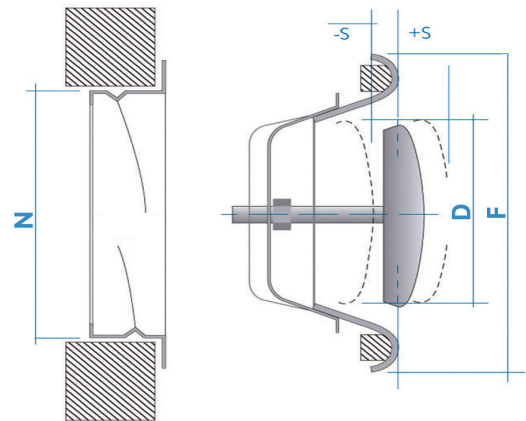
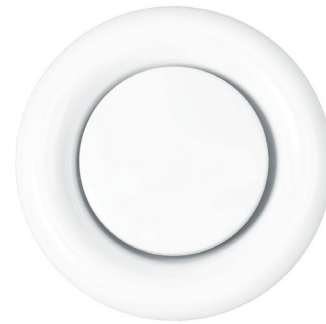
White powder coated. Other colors are available upon request.

**FIXING**

Galvanized steel mounting ring with screw holes.

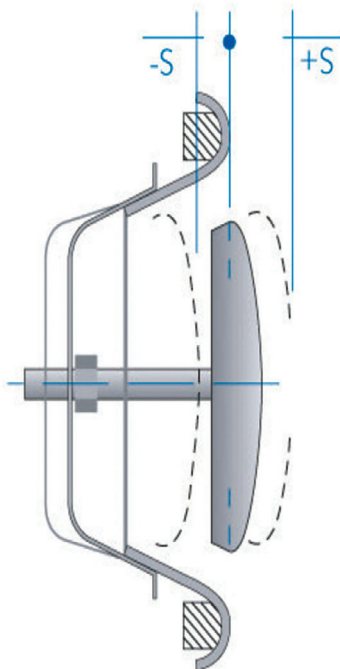
**AVAILABLE SIZES**

Ø N	N	D	F
100	96	75	138
125	123	100	164
150	148	120	202
200	198	158	248



**SELECTION CHART**

Circular Air Valves EDV



Nominal Sizes (mm)				Air Flow (m <sup>3</sup> / h)										
100	125	150	200		20	40	60	80	100	150	200	300		
				Pa	90									
				NR	-									
-9				Pa	45	170								
				NR	-	20								
-6	-12			Pa	20	80	200	300						
				NR	-	12	25	28						
-3			-20	Pa	10	50	120	200						
				NR	-	-	17	26						
	-6			Pa		30	70	120	200					
				NR		-	12	20	28					
6				Pa		20	40	80	130					
				NR		-	-	15	22					
			15	Pa		15	30	60	80	200				
				NR		-	-	11	18	30				
12	6			Pa		10	20	40	60	150				
				NR		-	-	-	13	27				
		0		Pa			15	25	40	90	170			
				NR			-	-	9	21	30			
	12	6		Pa				15	25	60	100	220		
				NR				-	-	15	25	31		
		12	0	Pa					15	30	60	150		
				NR					-	10	18	30		